

8 7 6 5 4 3 2 1

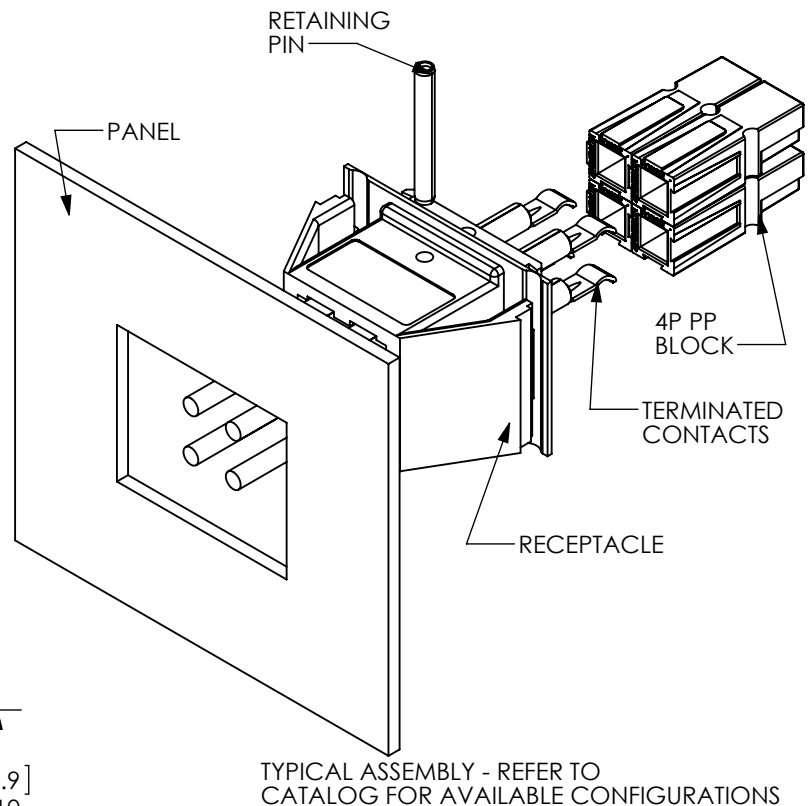
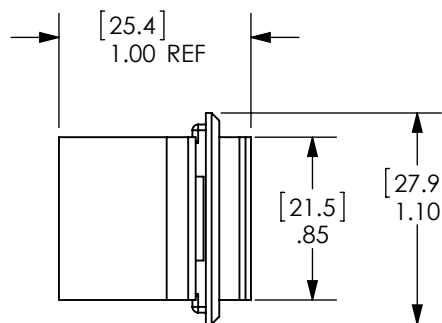
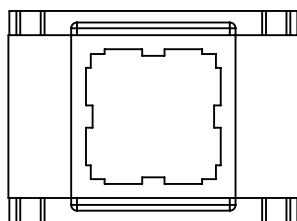
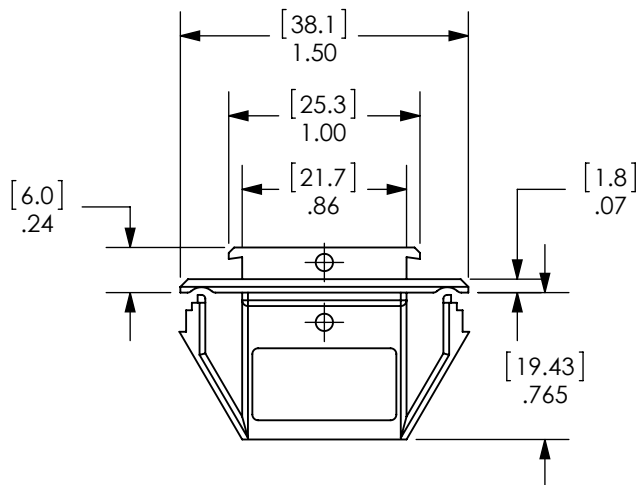
THE INFORMATION CONTAINED IN THIS DRAWING IS THE SOLE PROPERTY OF ANDERSON POWER PRODUCTS. ANY REPRODUCTION IN PART OR WHOLE WITHOUT THE WRITTEN PERMISSION OF ANDERSON POWER PRODUCTS IS PROHIBITED.

**Copyright 2013**

ANDERSON POWER PRODUCTS RESERVES THE RIGHT TO ALTER PRODUCT TYPES, THEIR TECHNICAL DATA, DIMENSION, STYLE AND ACCESSORIES WITHOUT PRIOR NOTIFICATION.

D  
C  
B  
A

D  
C  
B  
A



**NOTES:**

1. DESIGNED FOR PANELS .030-.134" (.76 - 3.4mm) THICK
2. KNOCKOUT SIZE 1.00 X 1.25 (25.4 X 31.7)

DIMENSIONS ARE IN:		INCH [MM]		<i>APPROVALS</i>		<b>ANDERSON POWER PRODUCTS</b>	
UNLESS OTHERWISE STATED				DRAWN	CMS	8/6/1999	TITLE CATALOG NUMBER 1470G1 2X2 POWERPOLE PAK SNAP-IN RECEPTACLE
TOLERANCES:				CHECKED	DJD	8/9/1999	
DECIMALS (INCH)	DECIMALS (MM)	ANGLES		MFG APPRV	CHB	8/23/1999	
.XX ± .02	.X ± .5	±2°		QC APPRV	RO	8/23/1999	
SURFACE FINISH:				ENG APPRV	UFN	8/24/1999	SIZE
MACHINED		128µin [3.2µ]					DWG NO.
MOLDED		64µin [1.6µ]					114167S1
MATERIAL:							REV.
POLYCARBONATE							1
FINISH:							SCALE
							NONE
							CADFILE
							01094
							SHEET
							1 OF 1

1	ECRN-15494 ELIMINATE DIM. BETWEEN OUTSIDE CLIP POINTS	TWE	10/28/2013
REV.	DESCRIPTION	APPRV	DATE
REVISIONS			

8 7 6 5 4 3 2 1