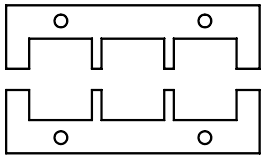
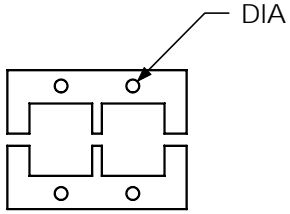
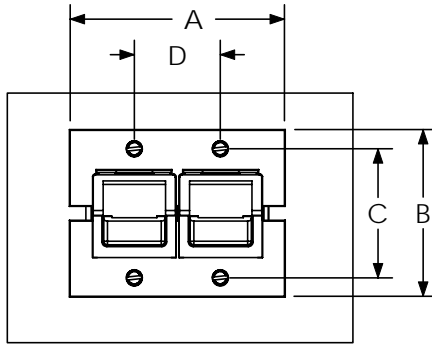


THE INFORMATION CONTAINED IN THIS DRAWING IS THE SOLE PROPERTY OF ANDERSON POWER PRODUCTS. ANY REPRODUCTION IN PART OR WHOLE WITHOUT THE WRITTEN PERMISSION OF ANDERSON POWER PRODUCTS IS PROHIBITED.

DATE	7/17/01
BY:	CMS
DESCRIPTION OF CHANGES	
1	ECRN 13410- ADD PANEL CUTOUT DIMS.
2	ECRN 14180- REMOVE 1X4 IMAGE
REV.	



3 OR 6 POLE



PANEL CUTOUT DIMENSIONS

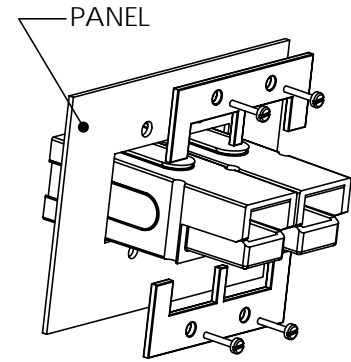
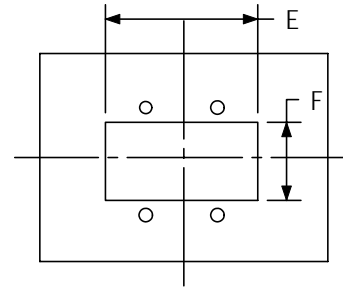


TABLE OF MOUNTING CLAMPS FOR PP75-PP180

CAT. NO.	PP Series	# of Poles	A		B		C		D		DIA		E		F	
			IN	MM	IN	MM	IN	MM	IN	MM	IN	MM	IN	MM	IN	MM
<b>1463G1</b>	PP75	2	1.62	41.1	1.36	34.5	1.06	26.9	1.25	31.7	.16	4.0	1.38	35.1	.75	19.0
		4	1.62	41.1	1.98	50.3	1.68	42.7	1.25	31.7	.16	4.0	1.38	35.1	1.38	35.1
<b>1463G2</b>	PP75	3	2.25	57.2	1.36	34.5	1.06	26.9	1.88	47.8	.16	4.0	2.00	50.8	.75	19.0
		6	2.25	57.2	1.98	50.3	1.68	42.7	1.88	47.8	.16	4.0	2.00	50.8	1.38	35.1
<b>1464G1</b>	PP120	2	2.38	60.5	1.88	47.8	1.50	38.1	1.75	44.4	.16	4.0	1.88	47.8	1.00	25.4
		4	2.38	60.5	2.76	70.1	2.38	60.5	1.75	44.4	.16	4.0	1.88	47.8	1.88	47.8
<b>1464G2*</b>	PP120	3	3.25	82.6	1.88	47.8	1.50	38.1	2.62	66.5	.16	4.0	2.75	70.0	1.00	25.4
<b>1465G1*</b>	PP180	2	2.81	71.4	2.18	55.4	1.68	42.7	1.12	28.4	.19	4.8	2.38	60.5	1.25	31.8
<b>1465G2*</b>	PP180	3	3.97	100.8	2.18	55.4	1.68	42.7	2.25	57.2	.19	4.8	3.50	88.9	1.25	31.8

\* SEE NOTE 2

NOTES:

1. MOUNTING CLAMPS SOLD IN PAIRS, SCREWS NOT INCLUDED
2. PP120 3- POLE AND PP180 2 AND 3 POLE MOUNTING CLAMPS ARE FOR SINGLE ROWS ONLY.

ITEM NO.	PART OR IDENTIFYING NO.	NOMENCLATURE OR DESCRIPTION	MATERIAL SPECIFICATION	QTY REQD
COPYRIGHT 1999 ANDERSON POWER PRODUCTS. ALL RIGHTS RESERVED. UNAUTHORIZED REPRODUCTION HEREBY PROHIBITED.				
DIMENSIONS ARE IN INCHES DIMENSIONS IN PARENTHESES [ ] ARE IN MILLIMETERS		CAD GENERATED DRAWING, DO NOT MANUALLY UPDATE		<b>ANDERSON POWER PRODUCTS</b>  <b>MOUNTING CLAMPS FOR PP75- PP180</b>
TOLERANCES ARE: 2PL- ±.02 [±.5]		APPROVALS	DATE	
MATERIALS: <i>AL- .09" THK</i>		DRAWN CMS	11/1/99	
FINISH <i>NONE</i>		CHECKED DJD	11/3/99	
DO NOT SCALE DRAWING		RESP ENG UFN	11/4/99	
		MFG ENG CHB	11/4/99	SIZE A
		QUAL ENG RPO	11/4/99	SPECIFICATION: 114207S1
				REV. 2
				SCALE NONE
				CADFILES/01137
				SHEET 1 OF 1