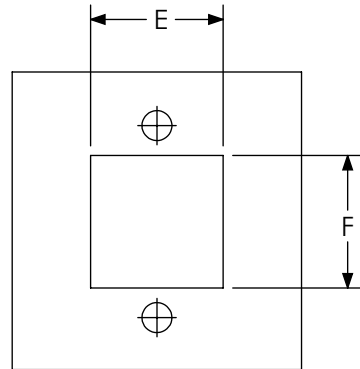
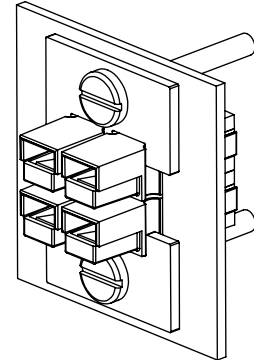
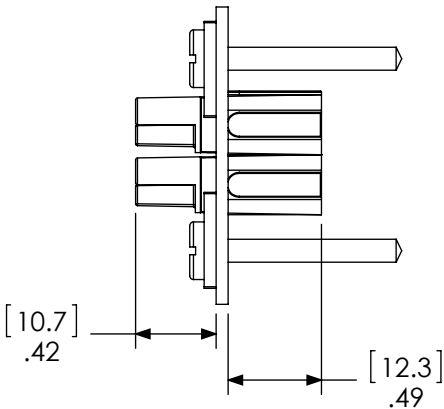
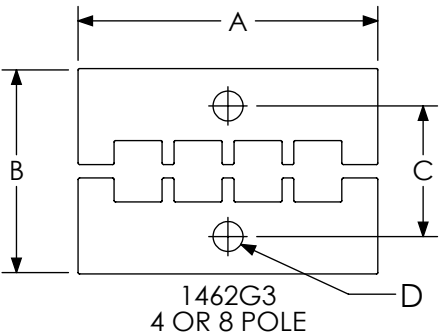
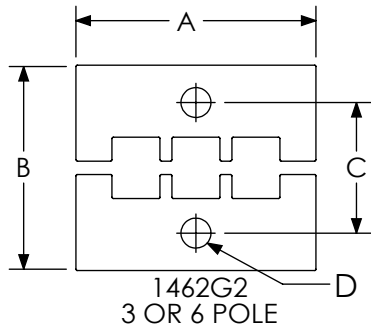
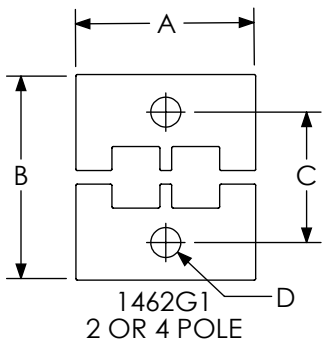


THE INFORMATION CONTAINED IN THIS DRAWING IS THE SOLE PROPERTY OF ANDERSON POWER PRODUCTS. ANY REPRODUCTION IN PART OR WHOLE WITHOUT THE WRITTEN PERMISSION OF ANDERSON POWER PRODUCTS IS PROHIBITED.

**Copyright 2011**

ANDERSON POWER PRODUCTS RESERVES THE RIGHT TO ALTER PRODUCT TYPES, THEIR TECHNICAL DATA, DIMENSION, STYLE AND ACCESSORIES WITHOUT PRIOR NOTIFICATION.



**TABLE OF MOUNTING CLAMPS FOR PP15/45**

| CAT. NO. | # OF POLES | A    |      | B    |      | C    |      | D     |      | E    |      | F    |      |
|----------|------------|------|------|------|------|------|------|-------|------|------|------|------|------|
|          |            | IN   | MM   | IN   | MM   | IN   | MM   | IN    | MM   | IN   | MM   | IN   | MM   |
| 1462G1   | 2          | 0.94 | 23.9 | 1.06 | 26.9 | 0.68 | 17.3 | 0.156 | 4.00 | 0.69 | 17.5 | 0.38 | 9.7  |
|          | 4          | 0.94 | 23.9 | 1.38 | 35.0 | 1.00 | 25.4 | 0.156 | 4.00 | 0.69 | 17.5 | 0.69 | 17.5 |
| 1462G2   | 3          | 1.25 | 31.7 | 1.06 | 26.9 | 0.68 | 17.3 | 0.156 | 4.00 | 1.00 | 25.4 | 0.38 | 9.7  |
|          | 6          | 1.25 | 31.7 | 1.38 | 35.0 | 1.00 | 25.4 | 0.156 | 4.00 | 1.00 | 25.4 | 0.69 | 17.5 |
| 1462G3   | 4          | 1.56 | 39.6 | 1.06 | 26.9 | 0.68 | 17.3 | 0.156 | 4.00 | 1.31 | 33.3 | 0.38 | 9.7  |
|          | 8          | 1.56 | 39.6 | 1.38 | 35.0 | 1.00 | 25.4 | 0.156 | 4.00 | 1.31 | 33.3 | 0.69 | 17.5 |

**NOTES:**  
1. MOUNTING CLAMPS SOLD IN PAIRS, SCREWS NOT INCLUDED

| REV. | DESCRIPTION                        | APPRV | DATE      |
|------|------------------------------------|-------|-----------|
| 4    | ECRN-15004                         | TWE   | 10/31/11  |
| 3    | ECRN-15001                         | TWE   | 10/28/11  |
| 2    | ECRN-15000                         | TWE   | 10/26/11  |
| 1    | ECRN-13410 ADDED PANEL CUTOUT DIMS | CMS   | 7/17/2001 |

REVISIONS

|                           |           |   |               |  |
|---------------------------|-----------|---|---------------|--|
| DIMENSIONS ARE IN:        | INCH [MM] | <b>APPROVALS</b>  |               | <p><b>ANDERSON POWER PRODUCTS</b></p> <p><b>TITLE</b></p> <p>MOUNTING CLAMPS FOR PP15/45</p> |
| UNLESS OTHERWISE STATED   |           | DRAWN   | CMS 11/3/1999 |  |
| TOLERANCES:               |           | CHECKED   | DJD 11/3/1999 |  |
| DECIMALS (INCH) .XX ± .02 |           | MFG APPRV   | CHB 11/8/1999 |  |
|                           |           | QC APPRV  | RPO 11/8/1999 |  |
| SURFACE FINISH:           |           | ENG APPRV   | UFN 11/4/1999 |  |
| MACHINED 128µin [3.2µ]    |           | SIZE  | A             |  |
| MOLDED 64µin [1.6µ]       |           | DWG NO.   | 114208S1      |  |
| MATERIAL: AL-.06" THK     |           | REV.  | 4             |  |
| FINISH: NONE              |           | SCALE   | NONE          |  |
|                           |           | CADFILE   | 01138         |  |
|                           |           | SHEET   | 1 OF 1        |  |
|                           |           | -CAD GENERATED DRAWING- DO NOT MANUALLY UPDATE DO NOT SCALE |               |  |