

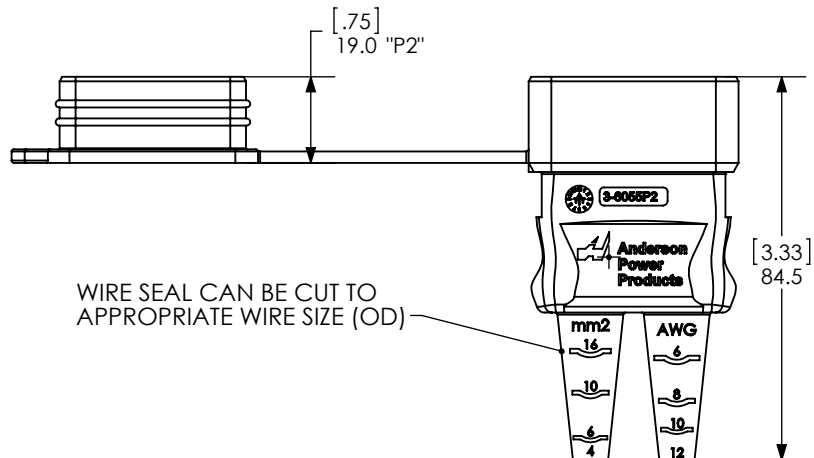
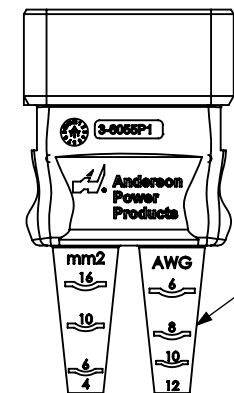
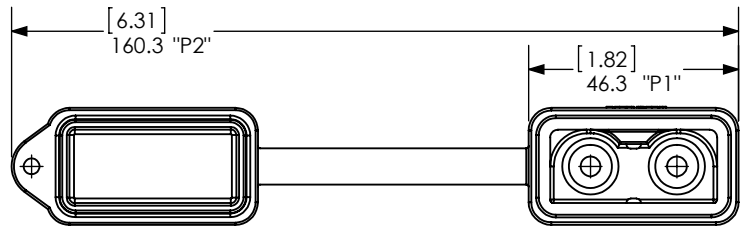
THE INFORMATION CONTAINED IN THIS DRAWING IS THE SOLE PROPERTY OF ANDERSON POWER PRODUCTS. ANY REPRODUCTION IN PART OR WHOLE WITHOUT THE WRITTEN PERMISSION OF ANDERSON POWER PRODUCTS IS PROHIBITED.

Copyright 2014

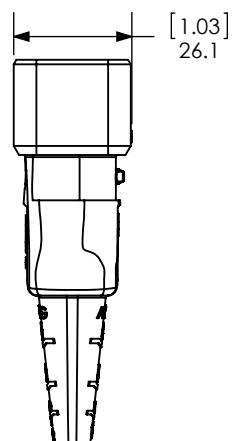
ANDERSON POWER PRODUCTS RESERVES THE RIGHT TO ALTER PRODUCT TYPES, THEIR TECHNICAL DATA, DIMENSION, STYLE AND ACCESSORIES WITHOUT PRIOR NOTIFICATION.

P/N	DESC.
3-6055P1	SB50 ENVIRONMENTAL BOOT-SOURCE SIDE
3-6055P2	SB50 ENVIRONMENTAL BOOT-SOURCE SIDE WITH INTEGRAL COVER

3-6055P1 WITH INSTALLED SB50 CONNECTOR



3-6055P2 SHOWN W/ COVER IN PLACE



- NOTES:
1. MATERIAL - TPE
 2. INTENDED FOR USE WITH SB@ 50 CONNECTOR SERIES (SOLD SEPARATELY)
 3. REFER TO THE FOLLOWING ASSEMBLY INSTRUCTIONS
 1S1030A FOR SB@ CONNECTOR SERIES
 1S6596 FOR SB@ ENVIRONMENTAL BOOTS
 4. "SOURCE" BOOT INTENDED FOR USE WITH CONNECTOR ATTACHED TO THE POWER SOURCE;
 5. IN THE UNMATED CONDITION, SECURE THE COVER TO THE BOOT FOR ENVIRONMENTAL PROTECTION
 6. IN THE UNMATED CONDITION, SECURE COVERS TOGETHER TO PREVENT PARTICULATES FROM GATHERING IN THE COVERS.

DIMENSIONS ARE IN:	MM [INCH]	APPROVALS	
UNLESS OTHERWISE STATED		DRAWN	CMS 5/15/2014
TOLERANCES:		CHECKED	NTS 7/11/2014
DECIMALS (INCH)	DECIMALS (MM)	ANGLES	
.XX ±.02	.X ±.5	±2°	
SURFACE FINISH:		MFG APPRV	LLD 7/11/2014
MACHINED	3.2µ [128µin]	QC APPRV	HN 7/15/2014
MOLDED	1.6µ [64µin]	ENG APPRV	BD 7/15/2014
MATERIAL:		SIZE	A
TPE- BLACK		DWG NO.	115376S2
FINISH:		REV.	1

ANDERSON POWER PRODUCTS

TITLE

SB50 ENVIRONMENTAL BOOT- SOURCE SIDE

1	ECRN 15740	CMS	11/11/2014
REV.	DESCRIPTION	APPRV	DATE
REVISIONS			

3rd ANGLE PROJECTION

-CAD GENERATED DRAWING- DO NOT MANUALLY UPDATE DO NOT SCALE

SCALE NONE

CADFILE 04294

SHEET 1 OF 2

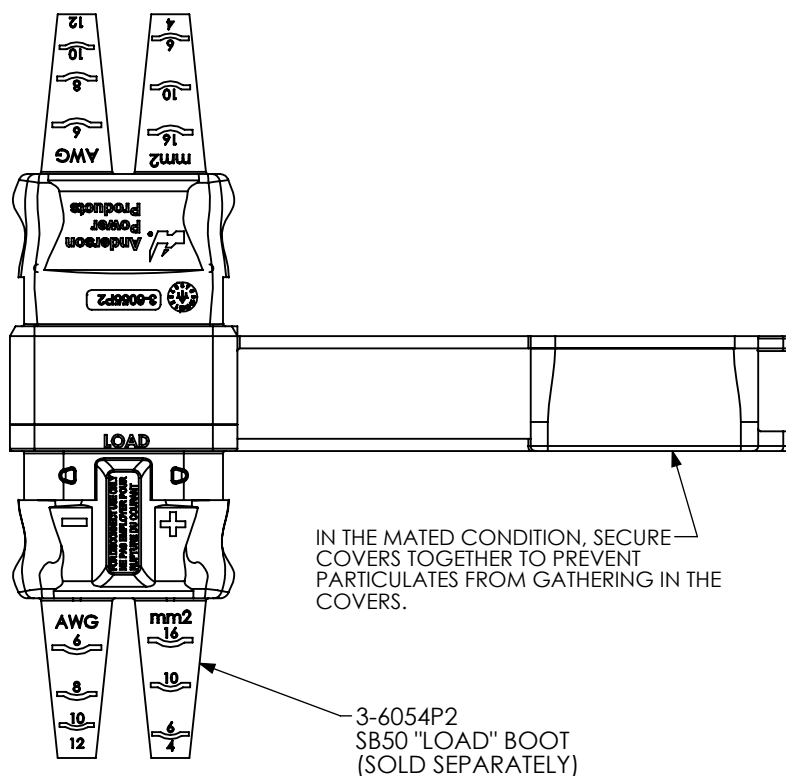
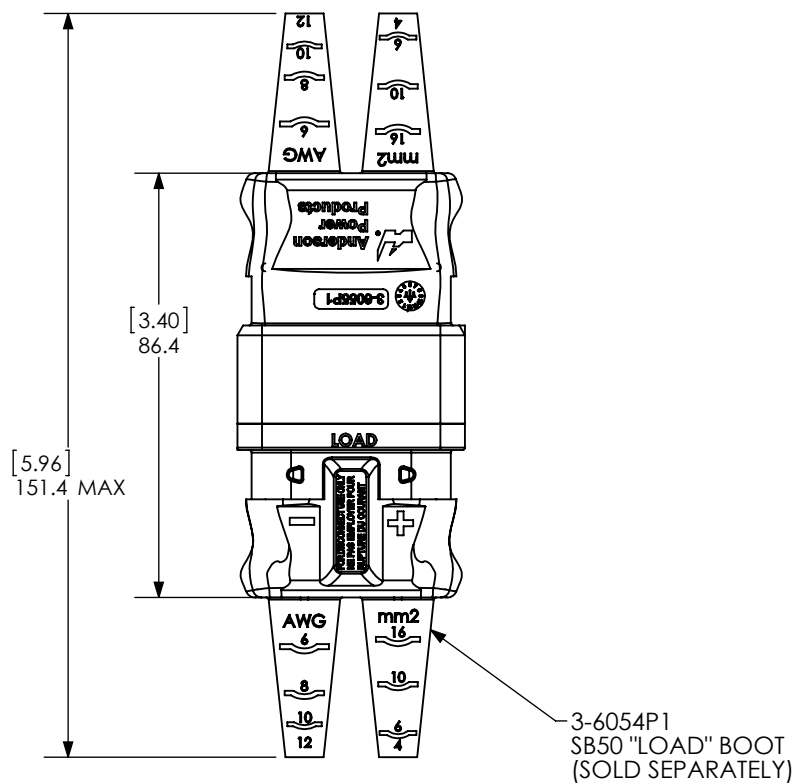
THE INFORMATION CONTAINED IN THIS DRAWING IS THE SOLE PROPERTY OF ANDERSON POWER PRODUCTS. ANY REPRODUCTION IN PART OR WHOLE WITHOUT THE WRITTEN PERMISSION OF ANDERSON POWER PRODUCTS IS PROHIBITED.

Copyright 2014

ANDERSON POWER PRODUCTS RESERVES THE RIGHT TO ALTER PRODUCT TYPES, THEIR TECHNICAL DATA, DIMENSION, STYLE AND ACCESSORIES WITHOUT PRIOR NOTIFICATION.

"P1" PARTS MATED

"P2" PARTS MATED



DIMENSIONS ARE IN:		MM [INCH]		<i>APPROVALS</i>		ANDERSON POWER PRODUCTS	
UNLESS OTHERWISE STATED				DRAWN	CMS	5/15/2014	
TOLERANCES:				CHECKED	NTS	7/11/2014	
DECIMALS (INCH)		DECIMALS (MM)		MFG APPRV		LLD	
.XX ± .02		.X ± .5		QC APPRV		HN	
		ANGLES ±2°		ENG APPRV		BD	
SURFACE FINISH:				7/15/2014		SIZE	DWG NO.
MACHINED		3.2µ [128µin]				A	115376S2
MOLDED		1.6µ [64µin]				SCALE	REV.
MATERIAL:						NONE	1
TPE- BLACK						CADFILE	SHEET
FINISH:						04294	2 OF 2
				-CAD GENERATED DRAWING- DO NOT MANUALLY UPDATE DO NOT SCALE			
3rd ANGLE PROJECTION							