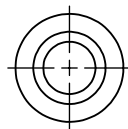
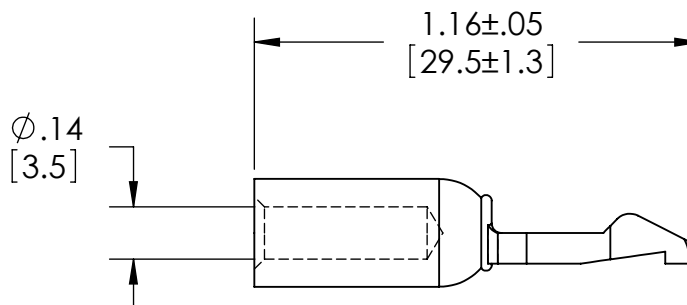
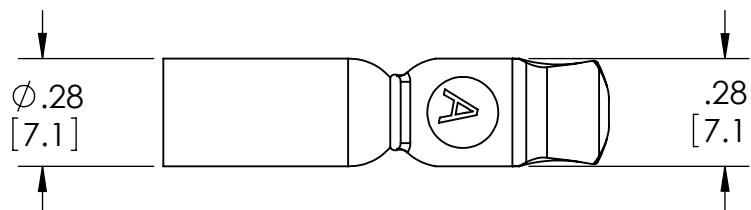
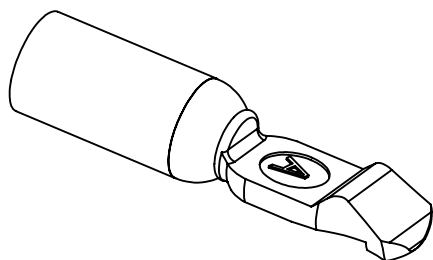


8 7 6 5 4 3 2 1

THE INFORMATION CONTAINED IN THIS DRAWING IS THE SOLE PROPERTY OF ANDERSON POWER PRODUCTS. ANY REPRODUCTION IN PART OR WHOLE WITHOUT THE WRITTEN PERMISSION OF ANDERSON POWER PRODUCTS IS PROHIBITED.

Copyright 2009

ANDERSON POWER PRODUCTS RESERVES THE RIGHT TO ALTER PRODUCT TYPES, THEIR TECHNICAL DATA, DIMENSION, STYLE AND ACCESSORIES WITHOUT PRIOR NOTIFICATION.

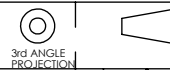


DIMENSIONS ARE IN:	INCH[MM]	APPROVALS	
UNLESS OTHERWISE STATED		DRAWN	JM 02/27/92
TOLERANCES:		CHECKED	DD 03/02/92
DECIMALS (INCH)	DECIMALS (MM)	ANGLES	
.XX ± .02	.X ± .5	±2°	
SURFACE FINISH:		MFG APP	CHB 03/02/92
MACHINED	128 [3.2] ✓	QC APP	JR 03/02/92
MOLDED	64 [1.6] ✓	ENG APP	HN 03/02/92
MATERIAL:		COPPER	
FINISH:		SILVER PLATE	

ANDERSON POWER PRODUCTS

TITLE
 CAT. NO. 5915
 PP75/SB50 CONTACT
 #10/12 AWG CABLE
 MAX HIGH DETENT

7	ECRN 14737:ADD 10/12 AWG	LLD	10/13/10
6	ECRN 14452 REV & REDRWN	LBF	06/17/09
REV.	DESCRIPTION OF CHANGES	APPROVED	DATE



CAD GENERATED DRAWING
 DO NOT MANUALLY UPDATE
 DO NOT SCALE

SIZE	A	DWG NO.	1C0608S5	REV.	7
SCALE	2:1	CADFILE	01050	SHEET	1 OF 1

8 7 6 5 4 3 2 1